

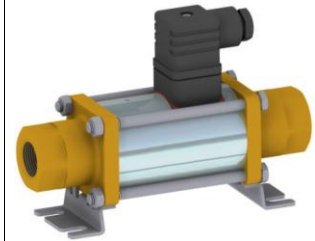
Media: air – water – oil - vacuum
 Pressure range: 0 to 40 bar max
 Media temperature: -20° to +130° C
 Ambient temperature: -30° to +60° C
 Media viscosity: 500 centistokes max
 Mounting: any position
 Opening Closing time: 25 – 130mSec



2/2 Brass

1/4 – 2” COAXIAL N/CLOSED & N/OPEN 2 WAY DIRECT ACTING

0 - 40 Bar
B27-10-50



PRESSURE

Port BSP	Ø Orifice (mm)	Flow Kv L/min	Pressure Rating (bar) ΔP		Body Material	Part Number	
			Min	Max			
				A→P			P→A
1/4, 3/8, 1/2, (3/4*)	10	51	0	16	40	Brass	B2710MG + port + voltage
3/8, 1/2, 3/4, (1*)	15	91	0	16	40	Brass	B2715MG + port + voltage
1/2, 3/4, 1, (1 1/4*)	20	145	0	16	40	Brass	B2720MG + port + voltage
3/4, 1, 1 1/4, (1 1/2*)	25	205	0	16	40	Brass	B2725MG + port + voltage
1, 1 1/4, 1 1/2, (2*)	32	333	0	16	40	Brass	B2732MG + port + voltage
1 1/2	40	637	0	16	16	Brass	B2740MG112 + voltage
2	50	787	0	16	16	Brass	B2750MG2 + voltage

OPTIONS

Normally Open version
 PTFE, NBR or EPDM Seals
 Fastening Brackets (Steel Zinc plated)
 Electrical Position Indicator with 1 position Open or Closed
 *Special options – Vacuum – Degreased – Flanged – Stainless Steel – Manual Override – Galvanised or Nickel Plated Steel Body

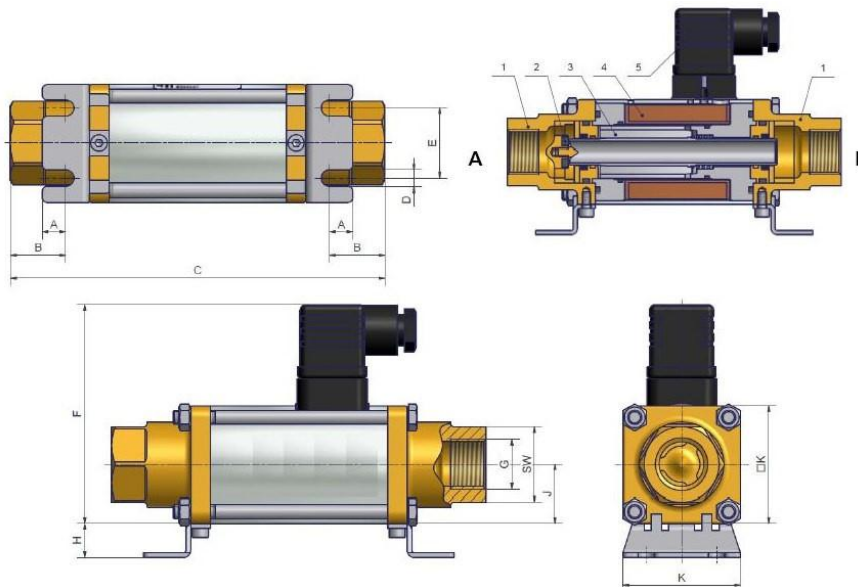
ELECTRICAL DATA

Voltage (-10% + 10%) Continuous duty 100%	Power Consumption (Watts)							Insulation class	Enclosure	Electrical connections
	Ø 10	Ø 15	Ø 20	Ø 25	Ø 32	Ø 40	Ø 50			
~ 12 - 24 - 48 - 110 - 230 (40 – 60Hz Connector with rectifier)	35	40	45	60	73	73	73	F 155°C	IP 65 with connector	3 spades DIN 43650 DIN 40050 VDE 0110
= 12 - 24 - 48 - 110 - 230 (DC)	41	45	53	68	76	91	91			

CONSTRUCTION

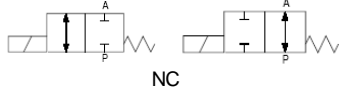
Body: Brass MS058 (MG version): Option: St steel 303 (V2G) or 316L (V4G)
 Tube and internal parts: Stainless steel
 Seals: Static FKM - Dynamic PTFE (Optional NBR, EPDM or PTFE)

OVERALL DIMENSIONS



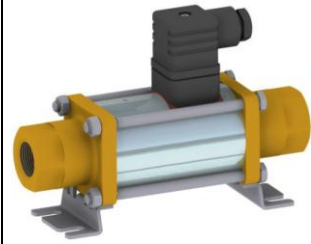
DN	G	SW	A	B	C	D	E	F	H	J	K	Kg
10	1/4 3/8 1/2 (3/4*)	32	10	23.5	159	7	30	93.5	14.5	25	50	1.7
15	3/8 1/2 3/4 (1*)	41	10.5	23.5	184	7	45	113.5	17.5	35	70	3.6
20	1/2 3/4 1 (1 1/4*)	46	15.3	33.5	215	7	50	123.5	17	40	80	5.4
25	3/4 1 1 1/4 (1 1/2*)	55	16	34	246	8.5	60	133.5	26	45	90	7.1
32	1 1 1/4 1 1/2 (2*)	60	6	37	269	6.5	78	156	4	57.5	115	12.6
40	1 1/2	75	6	40	304	6.5	98	173	4	65	130	18.3
50	2	75	6	40	304	6.5	98	173	4	65	130	18.3

Media: air – water – oil - vacuum
 Pressure range: 0 to 100 bar max
 Media temperature: -20° to +130° C
 Ambient temperature: -30° to +60° C
 Media viscosity: 500 centistokes max
 Mounting: any position
 Opening Closing time: 25 – 130mSec



2/2 Brass

1/4 – 1 1/2 COAXIAL N/CLOSED & N/OPEN 2 WAY DIRECT ACTING 0 - 100 Bar 27-100



PRESSURE

Port BSP	Ø Orifice (mm)	Flow Kv L/min	Pressure Rating (bar) ΔP		Body Material	Part Number	
			Min	Max			
				A→P			P→A
1/4, 3/8, 1/2	10	51	0	16	100	Brass	27-100B10 + port + voltage
3/8, 1/2, 3/4	15	91	0	16	100	Brass	27-100B15 + port + voltage
1/2, 3/4, 1	20	145	0	16	100	Brass	27-100B22 + port + voltage
3/4, 1, 1 1/4	25	205	0	16	100	Brass	27-100B25 + port + voltage
1, 1 1/4, 1 1/2	32	333	0	16	100	Brass	27-100B32 + port + voltage

OPTIONS

Normally Open version
 PTFE, NBR or EPDM Seals
 Fastening Brackets (Steel Zinc plated)
 Electrical Position Indicator with 1 position Open or Closed
 Many other options available upon request – Vacuum – Nickel Plated – Free of oil and Grease – Flanged – Stainless Steel 304 or 316

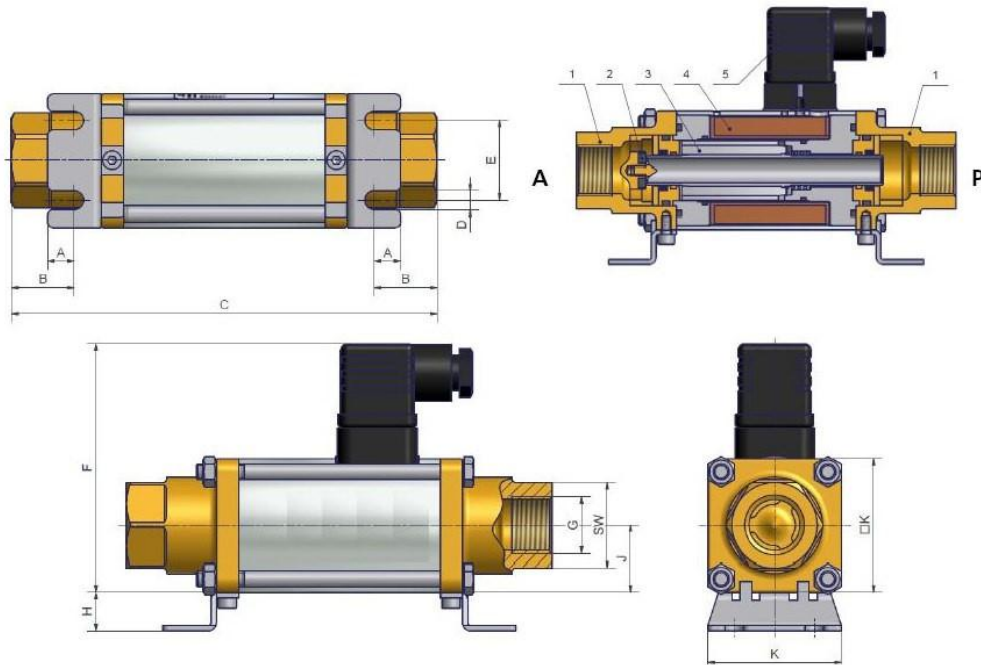
ELECTRICAL DATA

	Voltage (-10% + 10%) Continuous duty 100%	Power Consumption (Watts)						Insulation class	Enclosure	Electrical connections	
		Ø 10	Ø 15	Ø 20	Ø 25	Ø 32	Ø 40				Ø 50
~	12 - 24 - 48 - 110 - 230 (40 – 60Hz Connector with rectifier)	35	40	45	60	73	73	73	F 155°C	IP 65 with connector	3 spades DIN 43650 DIN 40050 VDE 0110
=	12 - 24 - 48 - 110 - 230 (DC)	41	45	53	68	76	91	91			

CONSTRUCTION

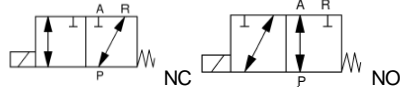
Body: Brass MS058 (MG version): Option: St steel 303 (V2G) or 316L (V4G)
 Tube and internal parts: Stainless steel
 Seals: Static FKM - Dynamic PTFE (Optional NBR, EPDM or PTFE)

OVERALL DIMENSIONS



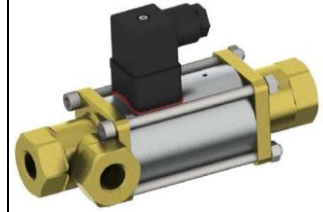
DN	G	SW	A	B	C	D	E	F	H	J	K	Kg
10	1/4 3/8 1/2	32	10	23.5	159	7	30	93.5	14.5	25	50	1.7
15	3/8 1/2 3/4	41	10.5	23.5	184	7	45	113.5	17.5	35	70	3.6
20	1/2 3/4 1	46	15.3	33.5	215	7	50	123.5	17	40	80	5.4
25	3/4 1 1 1/4	55	16	34	246	8.5	60	133.5	26	45	90	7.1
32	1 1 1/4 1 1/2	60	6	37	269	6.5	78	156	4	57.5	115	12.6
40	1 1/2	75	6	40	304	6.5	98	173	4	65	130	18.3
50	2	75	6	40	304	6.5	98	173	4	65	130	18.3

Media: air – water – oil - vacuum
 Pressure range: 0 to 40 bar max
 Media temperature: -20° to +100° C
 Ambient temperature: -30° to +50° C
 Media viscosity: 500 centistokes max
 Mounting: any position
 Opening Closing time: 25 – 130mSec



3/2 Brass

1/4 – 2" COAXIAL N/CLOSED & N/OPEN 2 WAY DIRECT ACTING 0 - 40 Bar B37-10-50



PRESSURE

Port BSP	Ø Orifice (mm)	Flow Kv L/min	Pressure Rating (bar) ΔP		Body Material	Part Number	
			Min	Max			
				A ⇒ P R ⇒ P			P ⇒ A P ⇒ R
1/4, 3/8, 1/2	10	51	0	16	40	Brass	B3710MG + port + voltage
3/8, 1/2, 3/4	15	91	0	16	40	Brass	B3715MG + port + voltage
1/2, 3/4, 1	20	145	0	16	40	Brass	B3720MG + port + voltage
3/4, 1, 1 1/4	25	205	0	16	40	Brass	B3725MG + port + voltage
1, 1 1/4, 1 1/2	32	333	0	16	40	Brass	B3732MG + port + voltage
1 1/2	40	637	0	16	16	Brass	B3740MG112 + voltage
2	50	787	0	16	16	Brass	B3750MG2 + voltage

OPTIONS

Normally Open version
 PTFE, NBR or EPDM Seals
 Fastening Brackets (Steel Zinc plated)
 Electrical Position Indicator with 1 position Open or Closed
 Many other options available upon request – Vacuum – Nickel Plated – Free of oil and Grease – Flanged – Stainless Steel 304 or 316

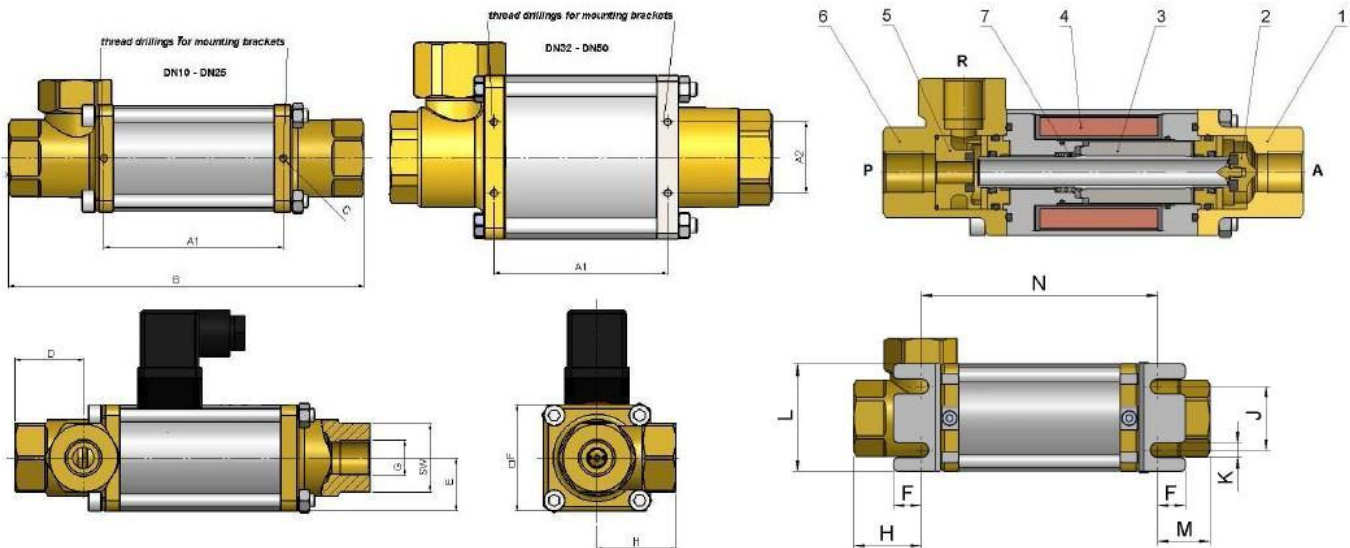
ELECTRICAL DATA

Voltage (-10% + 10%) Continuous duty 100%	Power Consumption (Watts)							Insulation class	Enclosure	Electrical connections
	Ø 10	Ø 15	Ø 20	Ø 25	Ø 32	Ø 40	Ø 50			
~ 12 - 24 - 48 - 110 - 230 (40 – 60Hz Connector with rectifier)	35	40	45	60	73	73	73	F 155°C	IP 65 with connector	3 spades DIN 43650 DIN 40050 VDE 0110
= 12 - 24 - 48 - 110 - 230 (DC)	41	45	53	68	76	91	91			

CONSTRUCTION

Body: Brass MS058 (MG version): Option: St steel 303 (V2G) or 316L (V4G)
 Tube and internal parts: Stainless steel
 Seals: Static FKM, Dynamic PTFE, Seat FKM, Optional NBR and EPDM

OVERALL DIMENSIONS



DN	G	SW	A1 (mm)	A2 (mm)	B (mm)	C	D (mm)	E (mm)	F (mm)	H (mm)	F	H	J	K	L	M	N	Kg
10	1/4 3/8 1/2	32	84	-	166.5	M4	32	25	50	37	10	30.5	30	7	50	23.5	113	1.9
15	3/8 1/2 3/4	41	100	-	200	M5	38.5	35	70	60	10.5	38.5	45	7	70	23.5	139	4
20	1/2 3/4 1	46	108	-	228	M5	45.5	40	80	72	15.3	46.5	50	7	80	33.5	149	6
25	3/4 1 1 1/4	55	121	-	252	M5	48	45	90	80	16	40	60	8.5	90	34	178	7.5
32	1 1 1/4 1 1/2	60	122	50	269	M6	49.5	57.5	115	80	6	37	78	6.5	115	37	195	13.4
40	1 1/2	75	131	60	304	M6	56.5	65	130	84	6	40	98	6.5	130	40	224	18.7
50	2	75	131	60	304	M6	56.5	65	130	84	6	40	98	6.5	130	40	224	18.5

Media : air – water – oil - vacuum
 Pressure range : 0 to 64 bar max
 Media temperature : -10° to +100° C
 Ambient temperature : -10° to +50° C
 Control pressure : 3 – 8 bar air
 Media viscosity : 500 centistokes max
 Mounting : any position
 Opening/Closing : 50 – 1000 mSec



2/2 Brass

1/4 – 2" COAXIAL

N/CLOSED + N/OPEN

2 WAY DIRECT ACTING

0 - 64 Bar

B28-10-50



PRESSURE

Port BSP	Orifice (mm)	Flow Kv Ltr/min	min	Pressure Rating (bar) ΔP		Body Material	Part Number
				Max.			
				A ⇒ P	P ⇒ A		
1/4, 3/8, 1/2 (3/4*)	10	41.6	0	16	64	Brass	B2810MG + port
3/8, 1/2, 3/4, (1*)	15	75	0	16	64	Brass	B2815MG + port
1/2, 3/4, 1, (1 1/4*)	20	113	0	16	64	Brass	B2820MG + port
3/4, 1, 1 1/4, (1 1/2*)	25	192	0	16	64	Brass	B2825MG + port
1, 1 1/4, 1 1/2, (2*)	32	333	0	16	64	Brass	B2832MG + port
1 1/2	40	637	0	16	64	Brass	B2840MG + port
2	50	787	0	16	64	Brass	B2850MG + port

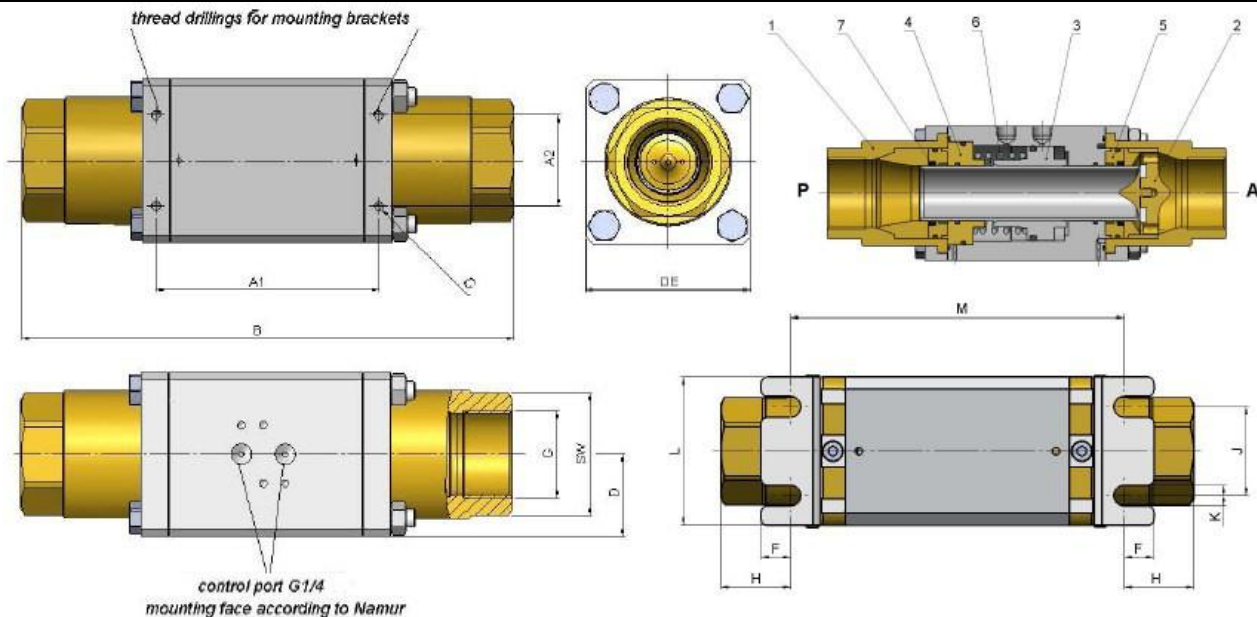
OPTIONS

Normally Open version
 PTFE Seals
 Fastening Brackets (Steel Zinc plated)
 Namur Valve CY52002S single acting spring close
 Namur Valve CY52002D double acting
 ATEX 22001EX Coil: ATEX EExmII T4 II 2G & 2D IP65 T130° C (Pressure Reduced by 20%)
 *Special options – Vacuum – Degreased – Flanged – Stainless Steel – Manual Override – Galvanised or Nickel Plated Steel Body

CONSTRUCTION

Body : Brass MS058 (MG version) : Option St steel 303 (V2G) or St steel 316L (V4G)
 Tube and internal parts : Stainless steel
 Seals : Static FKM - Dynamic FKM + PTFE - Seat PTFE (Optional NBR and EPDM)

OVERALL DIMENSIONS



DN	G	SW	A1 (mm)	A2 (mm)	B (mm)	C	D (mm)	E (mm)	F (mm)	H (mm)	J (mm)	K (mm)	L (mm)	M (mm)	Kg
10	1/4 3/8 1/2 (3/4*)	32	84	-	159.5	M4	25	50	10	22	30	7	50	113	1.6
15	3/8 1/2 3/4 (1*)	41	100	-	184	M5	35	70	10.5	22	45	7	70	139	2.8
20	1/2 3/4 1 (1 1/4*)	46	108	-	215	M5	40	80	15.3	33.5	50	7	80	149	4.0
25	3/4 1 1 1/4 (1 1/2*)	55	121	-	246	M5	45	90	16	34	60	8.5	90	178	5.3
32	1 1 1/4 1 1/2 (2*)	60	122	50	269	M6	45	90	6	37	78	6.5	90	195	6.9
40	1 1/2	75	131	60	304	M6	55	110	6	40	98	6.5	110	224	11.7
50	2	75	131	60	304	M6	55	110	6	40	98	6.5	110	224	11.7