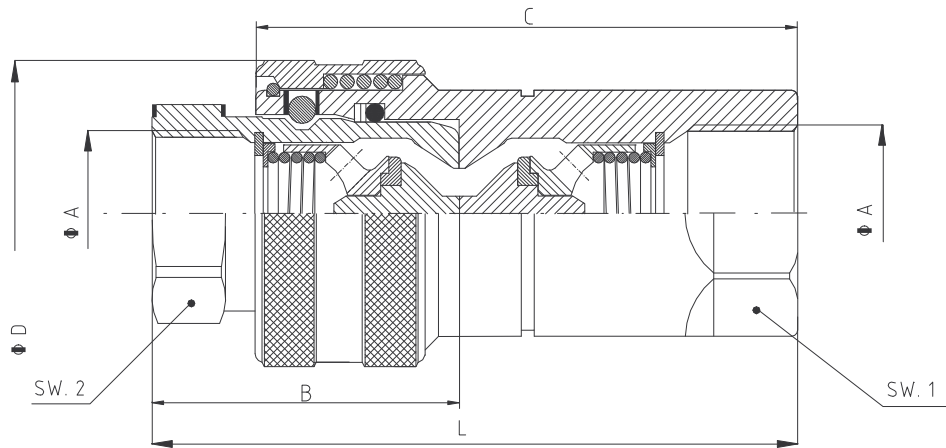
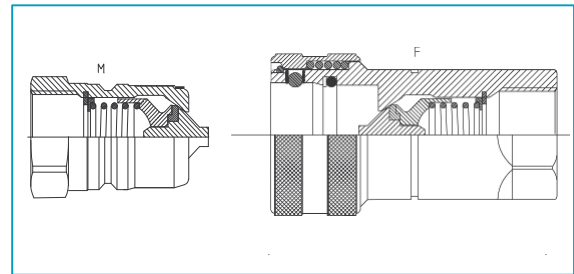
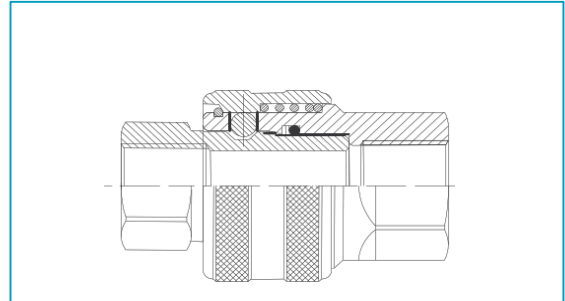


# Quick-release couplings

## ISO 7241-1 "B" Standard - AISI 316 Stainless steel

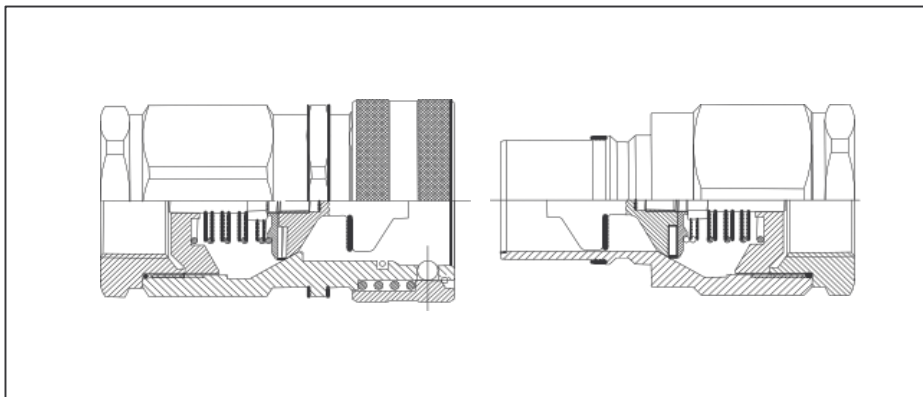
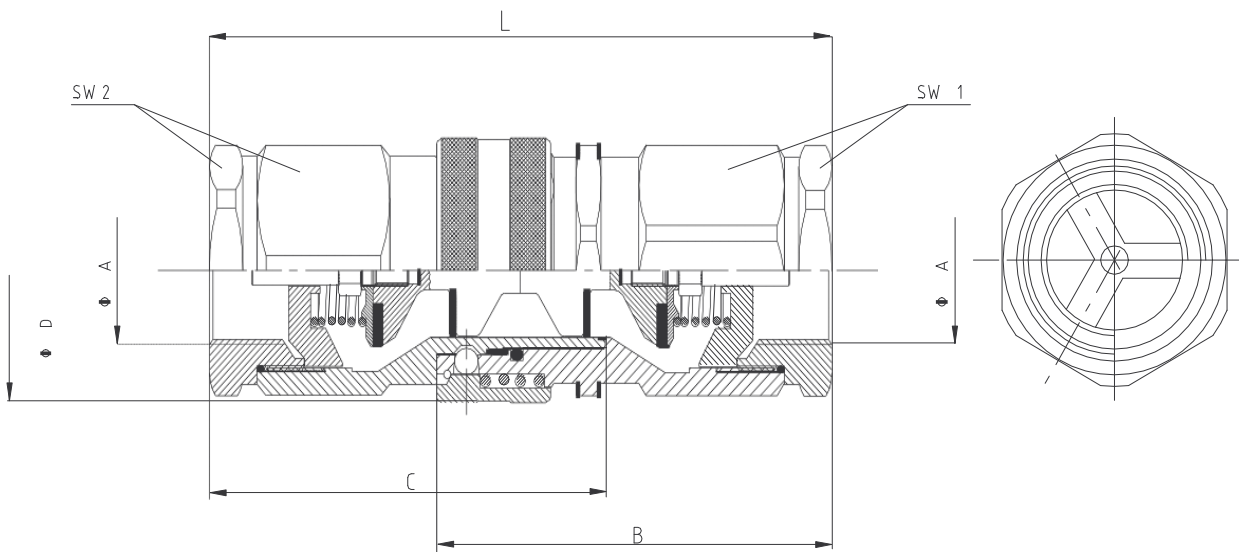
- BSP/ NPT/ and other threads on request
- Connection by retracting the sleeve
- Burst pressure: 2,5 times working pressure
- Viton seals or else on request PTFE Backup rings
- 316 SS Inner Components (springs, rings, balls)
- Available also without valve (Straight Through)



ØA inch	B mm	C mm	D mm	L mm	SW 1 mm	SW 2 mm	S mm <sup>2</sup>	WP Bar	M Kg
1/8"-04	31	50	24	62	14	14	12.5	450	0.11
1/4"-06	36	57	28	72	19	19	22.5	400	0.17
3/8"-09	39	64	35	78	24	22	40.5	350	0.29
1/2"-13	45.5	73	42	91	27	27	79	300	0.50
3/4"-19	53.5	87	51.5	107	36	34	169	250	0.85
1"-25	63	102	60	125	41	41	224	200	1.25

# Quick-release couplings

ISO 7241-1"B" Standard - AISI 316 Stainless steel  
1.1/4" - 1.1/2" -2"



ØA inch	B mm.	C mm.	D mm.	L mm.	SW 1 mm.	SW 2 mm.	S mm <sup>2</sup>	WP Bar	M Kg.
1" 1/4-30	126	126	75	198	65	65	865	140	3.70
1" 1/2-40	126	126	75	198	65	65	865	140	3.70
2"-50	142	142	105	222	90	90	1780	90	8.00